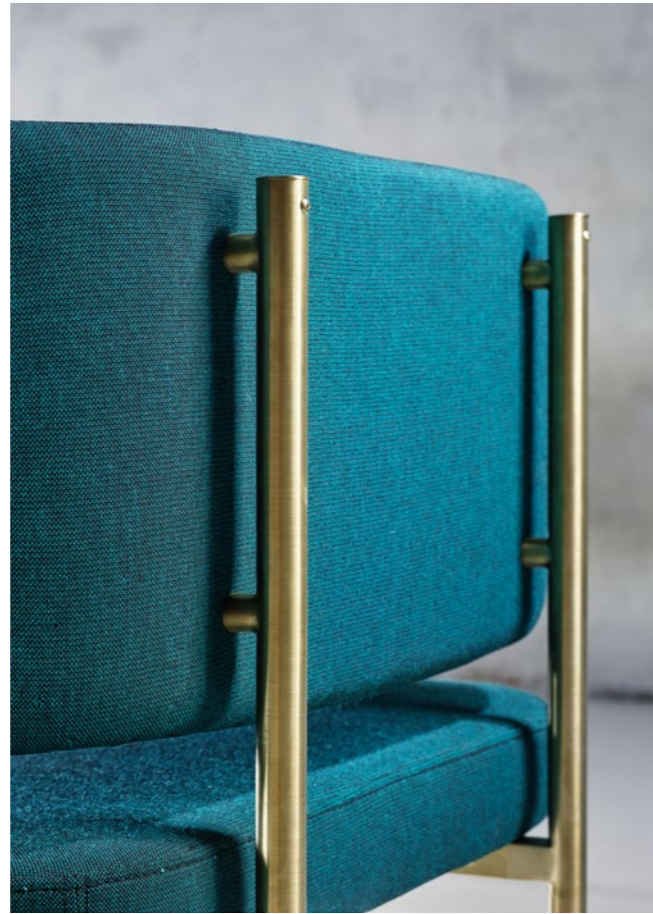




CRESCENT





CRESCENT

Designer

Alexander Lotersztain
2014

Material

seat & bench: plywood frame & enviro-foam
frame: stainless steel
table & side table top: solid oak
floating table: stainless steel
coat stand: stainless steel

Finish

seat: upholstered fabric/leather
frame: powder coat/brushed
table & side table top: natural/black
floating table: powder coat/brushed
coat stand: powder coat/brushed

see page 129 for finish options

Warranty

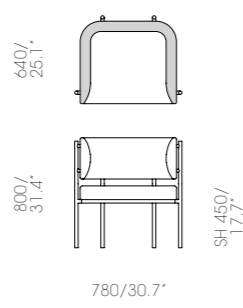
5 year structural

Note

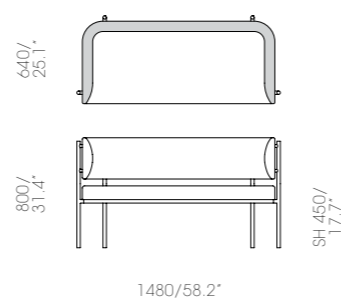
indoor product

SEAT

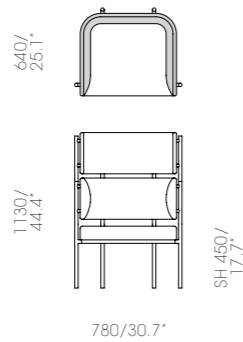
CRS-01



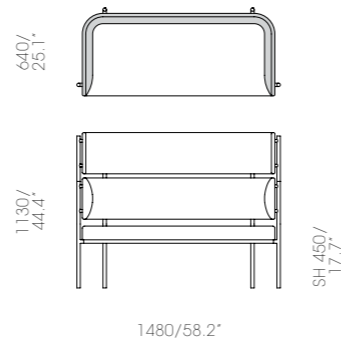
CRS-03



CRS-02

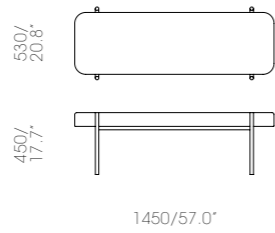


CRS-04



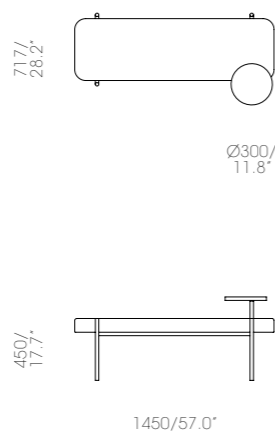
BENCH

CRS-05



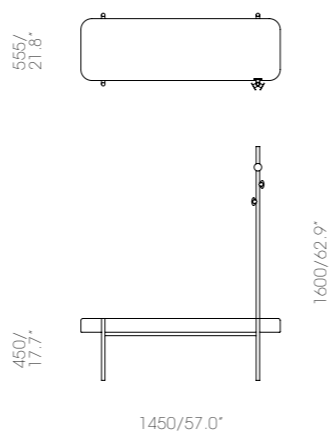
BENCH WITH FLOATING TABLE

CRS-05-A



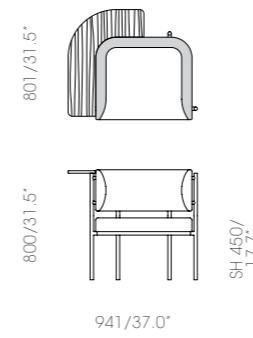
BENCH WITH COAT STAND

CRS-05-B

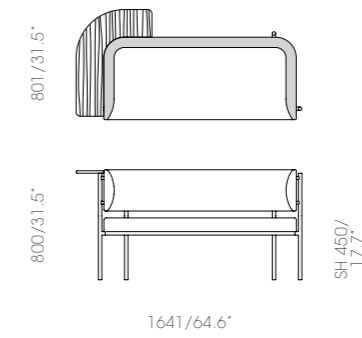


SEAT WITH SIDE TABLE

CRS-01-A



CRS-03-A



ROUND TABLE

CRS-06



TABLE

CRS-07

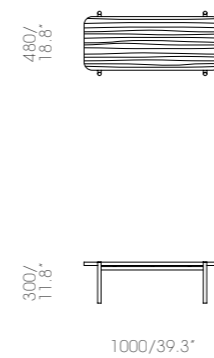
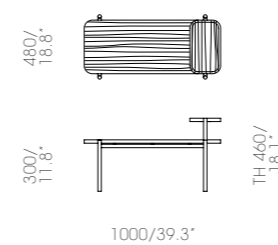


TABLE WITH SIDE TABLE

CRS-08



ROUND TABLE WITH FLOATING TABLE

CRS-06-A

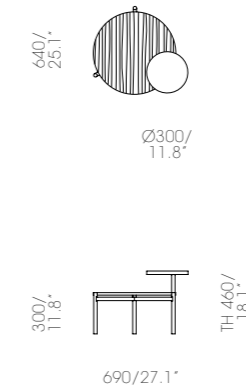
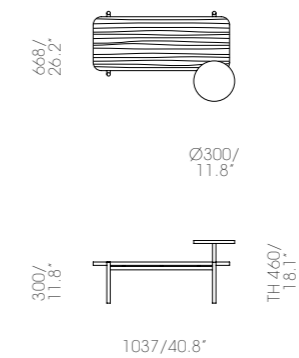


TABLE WITH FLOATING TABLE

CRS-07-A



ROUND TABLE WITH COAT STAND

CRS-06-B

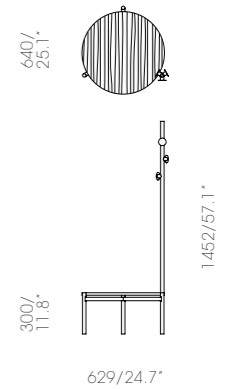


TABLE WITH COAT STAND

CRS-07-B

