



TAB





TAB

Designer

Alexander Lotersztain
2013

Material

seat: plywood frame & enviro-foam
workbooth & desk: plywood frame & enviro-foam
workstation: solid pine, plywood frame & enviro-foam
workbooth, workstation & desk table top: plywood
table base: mild steel
table top: plywood

Finish

seat: upholstered fabric/leather
workbooth & desk: upholstered fabric/leather
workbooth, workstation & desk top: oak veneer/laminate
table base: powder coat
table top: oak veneer/laminate

see page 129 for finish options

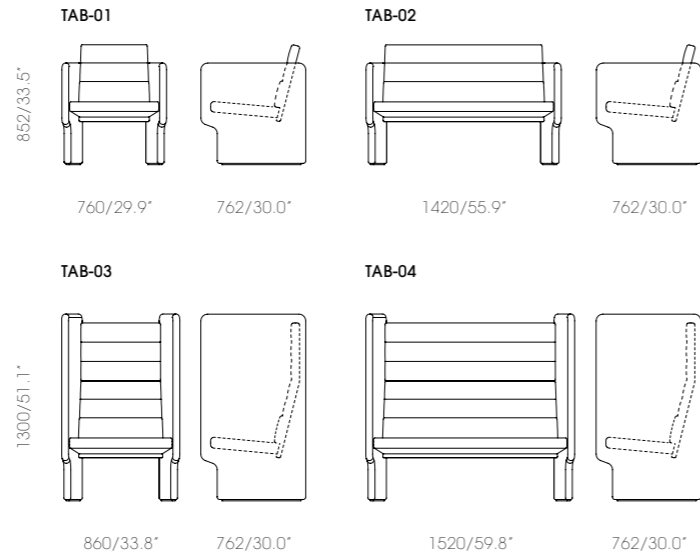
Warranty

5 year structural

Note

indoor product

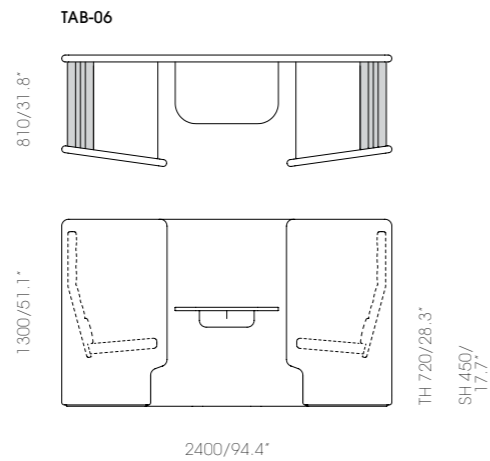
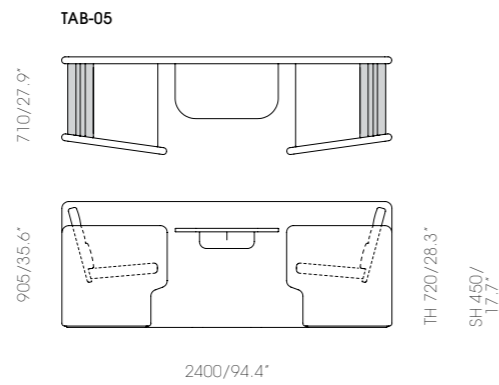
SEAT



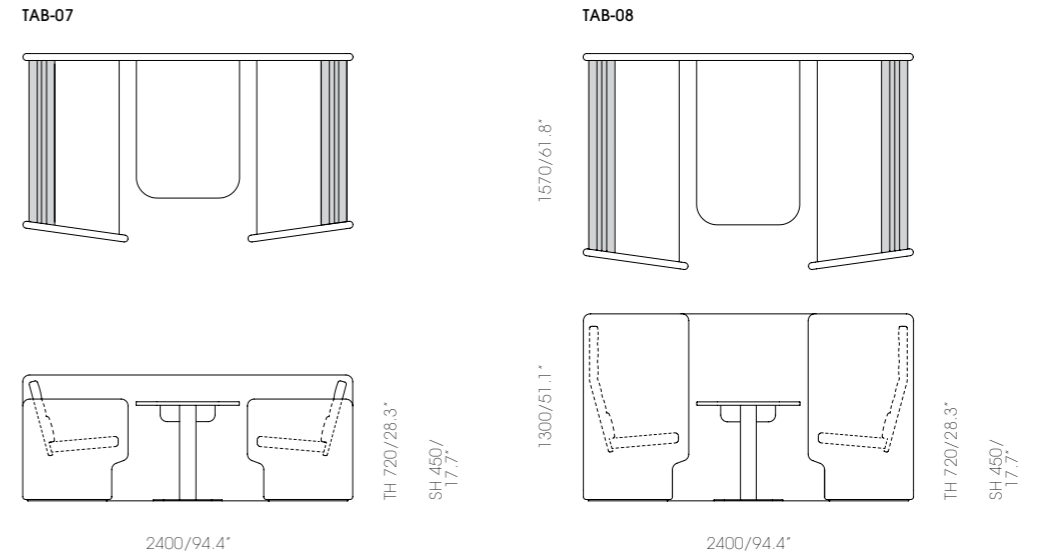
SH 450/
17.7"

SH 450/
17.7"

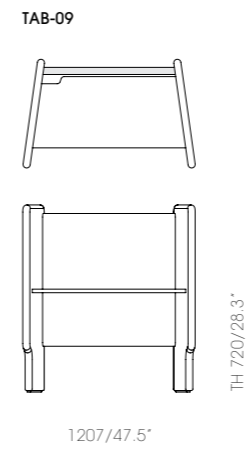
2 PERSON WORKBOOTH



4 PERSON WORKBOOTH



DESK



5 PERSON WORKSTATION

