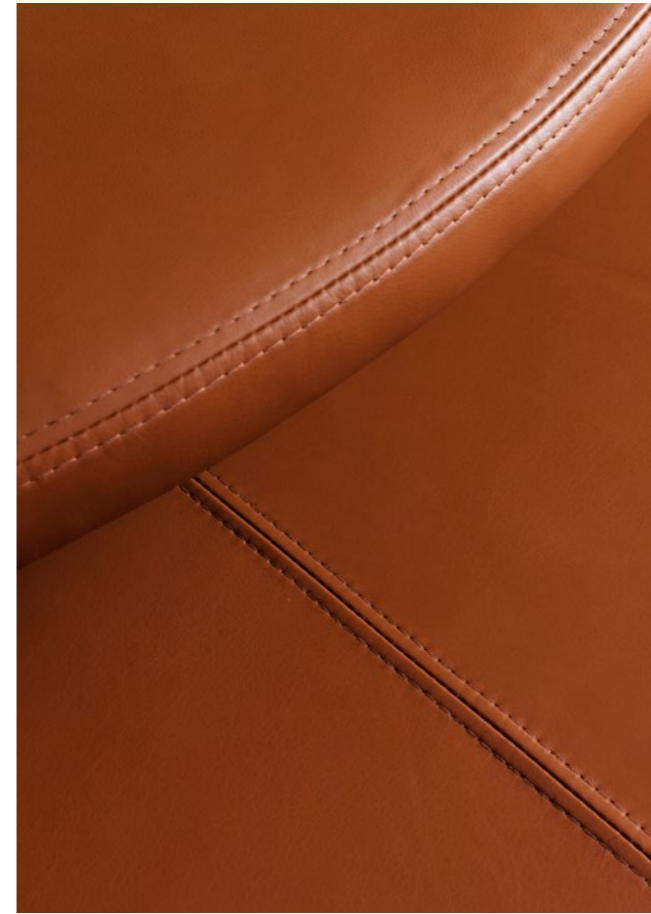
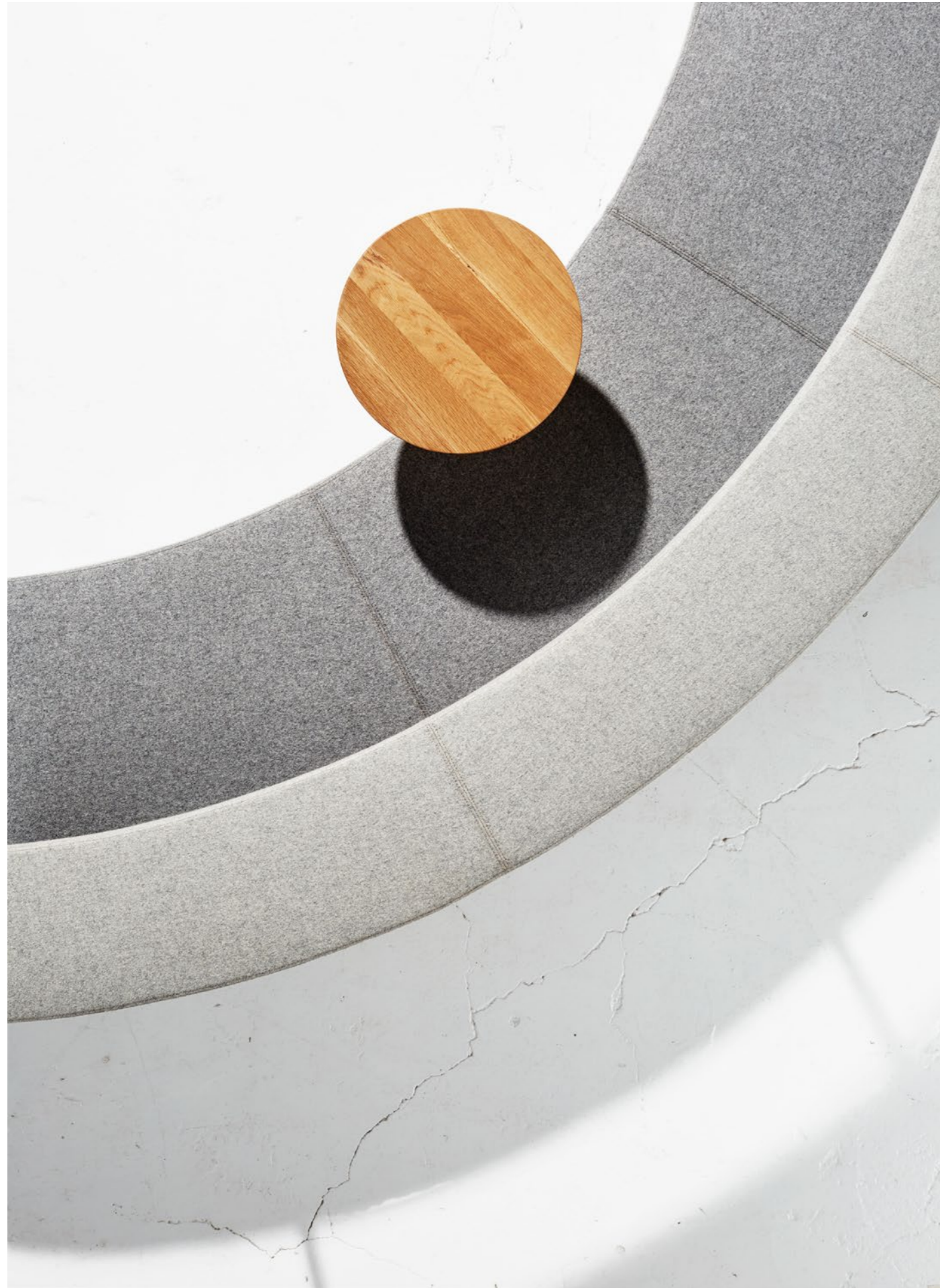




AUTOBAHN





AUTOBAHN

Designer

Alexander Lotersztain
2012

Material

seat: plywood & enviro-foam
frame: mild steel
table top: solid oak

Finish

seat: upholstered fabric/leather
frame: powder coat
table top: natural/black

see page 129 for finish options

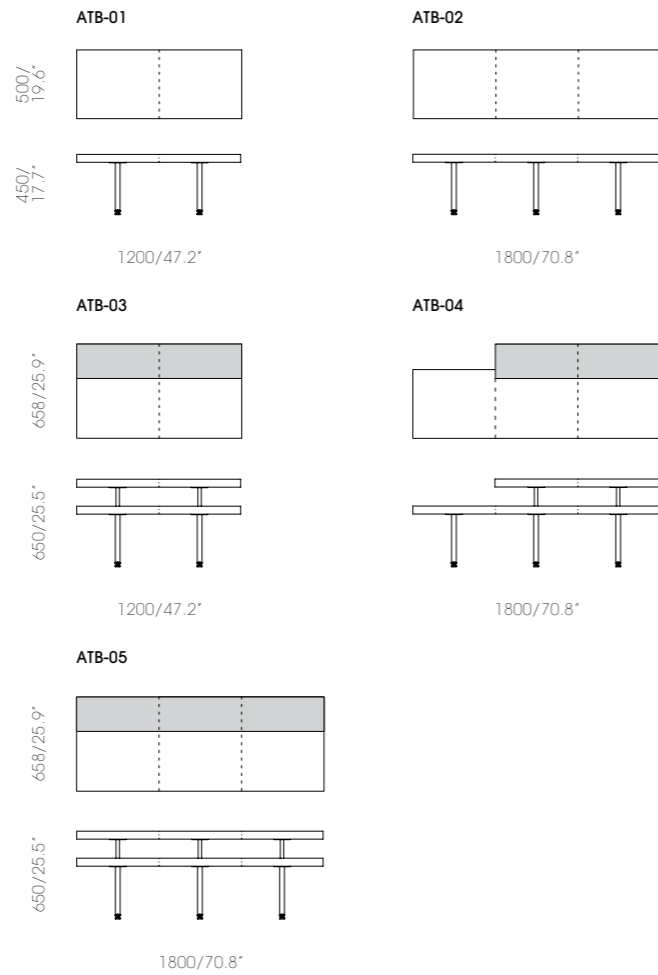
Warranty

5 year structural

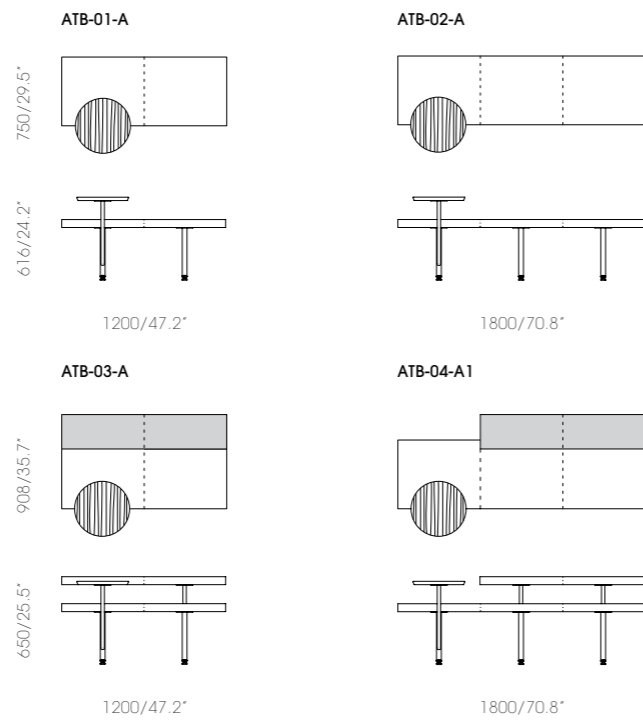
Note

indoor product

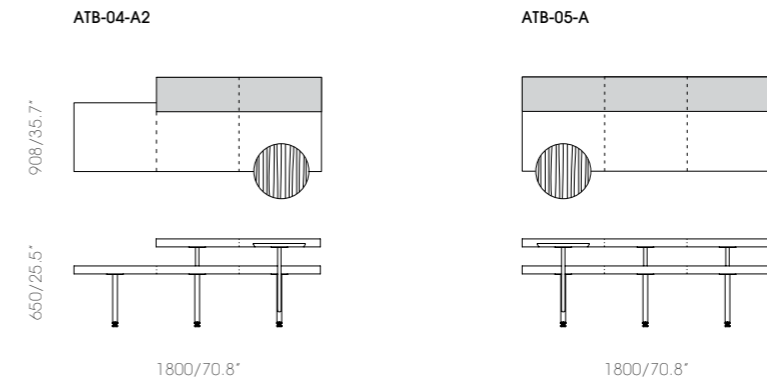
SEAT



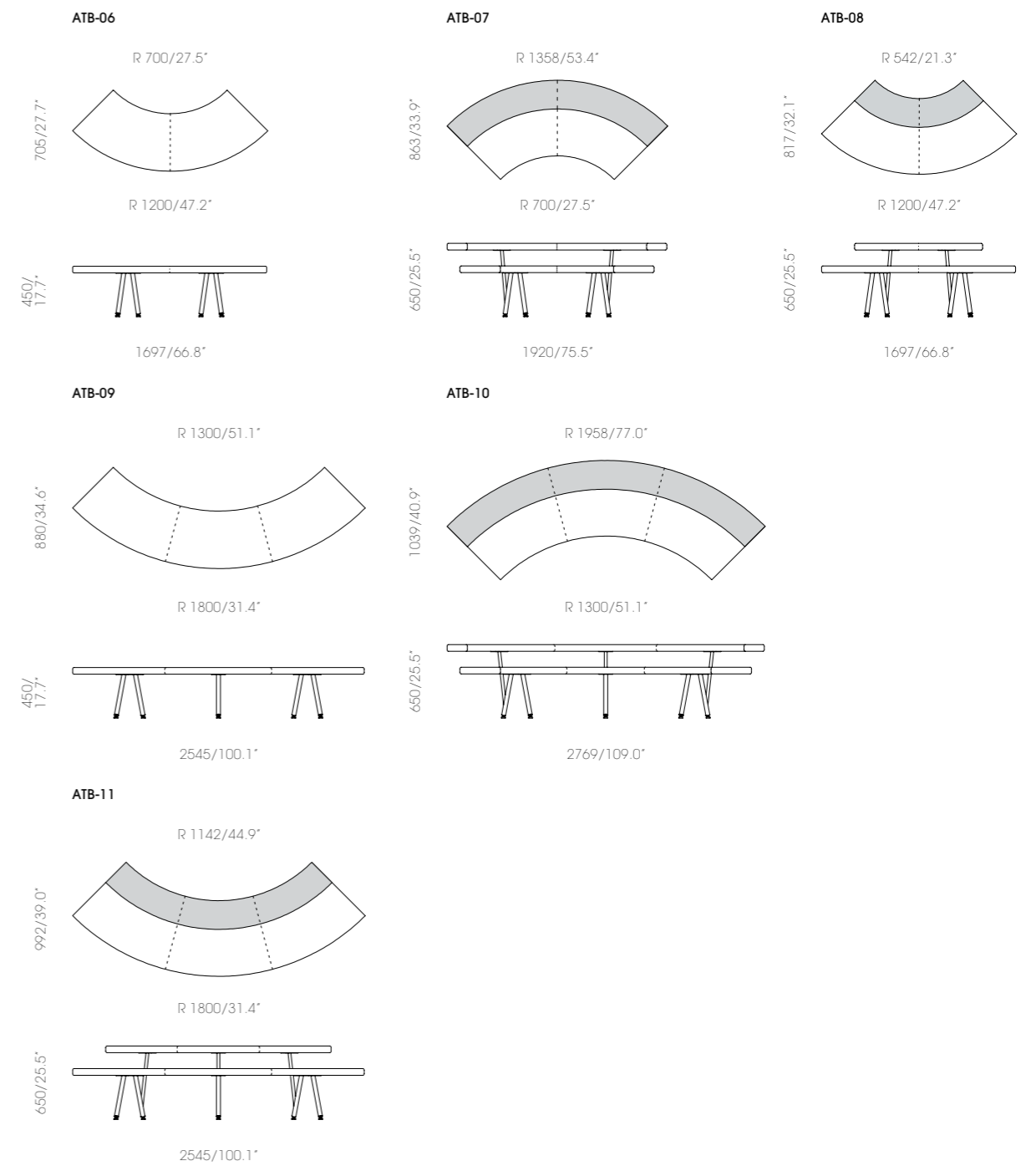
SEAT WITH TABLE (TOP Ø380/14.9")



SEAT WITH TABLE (TOP Ø380/14.9")

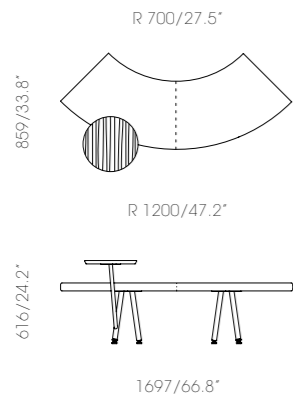


90° CURVED SEAT

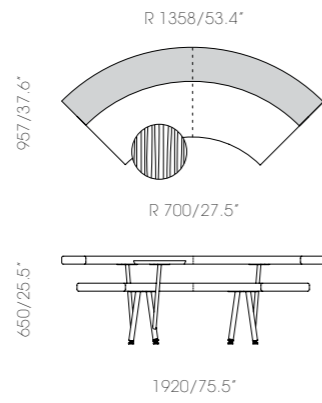


90° CURVED SEAT WITH TABLE (TOP Ø380/14.9°)

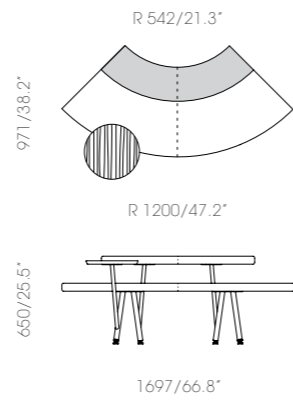
ATB-06-A



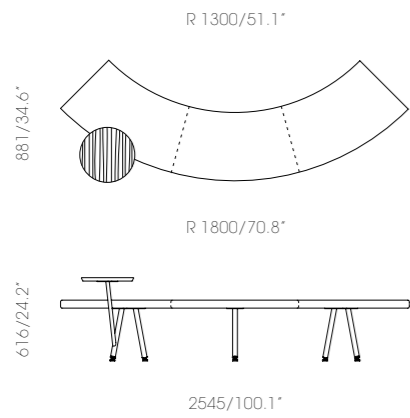
ATB-07-A



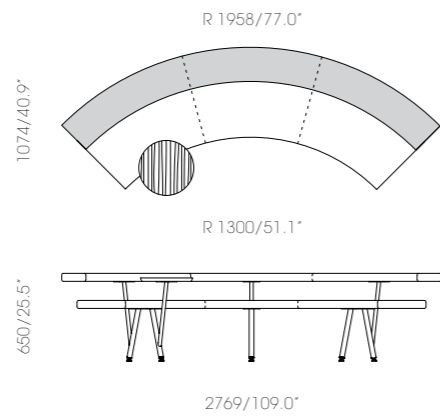
ATB-08-A



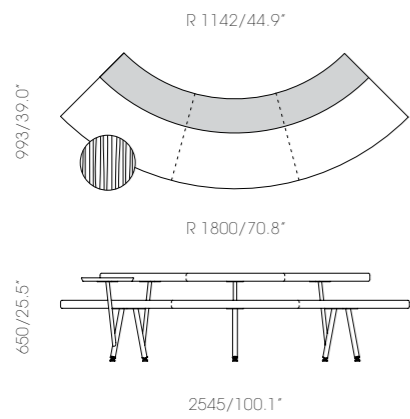
ATB-09-A



ATB-10-A

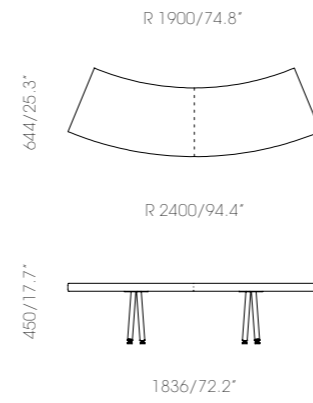


ATB-11-A

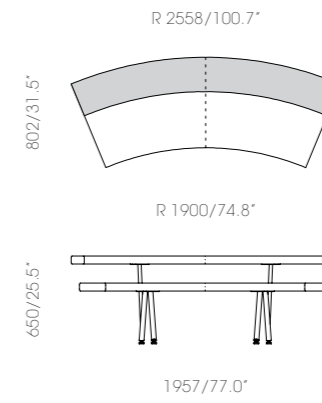


45° CURVED SEAT

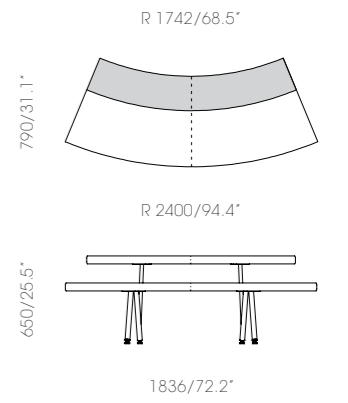
ATB-12



ATB-13

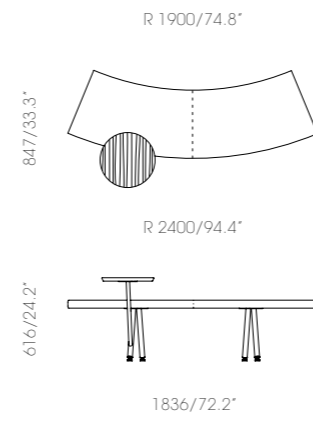


ATB-14

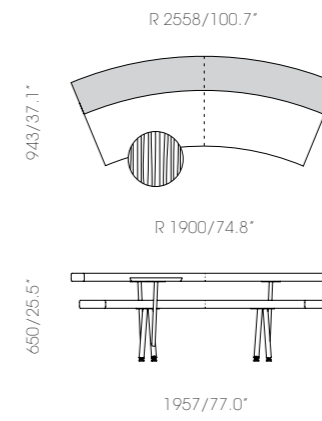


45° CURVED SEAT WITH TABLE (TOP Ø380/14.9°)

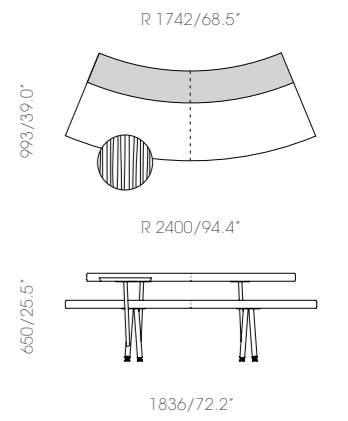
ATB-12-A



ATB-13-A



ATB-14-A



FREE STANDING TABLE

ATB-15

